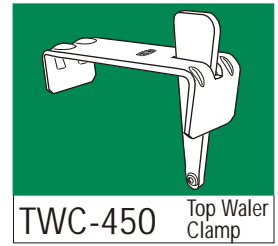




Top Waler Clamp

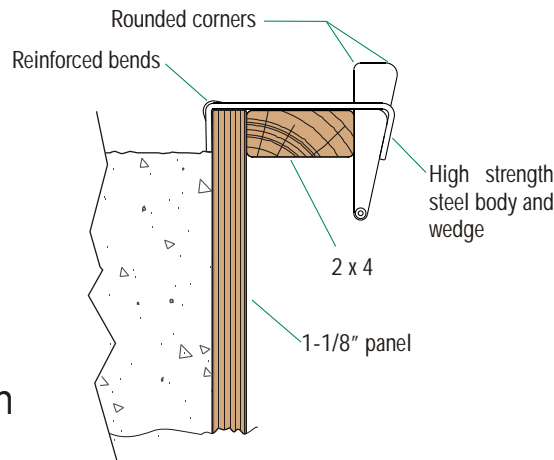
1-1/8" Forming Hardware



A Rugged, Versatile Clamp for 1-1/8" Forming

Using the TWC-450 is the best way to secure a 2x4 to the top of your form panels for perfectly straight walls. Sets securely with a quick blow to the wedge, and strips just as easily.

Like all Steel Dog hardware, the TWC is designed and manufactured with the user in mind. Heavy-gauge steel, rounded corners, no sharp edges--the TWC is rugged and made to withstand years of heavy use.



TWC's extend the life of your forms: clamp a 2 x 4, instead of nailing or screwing through your plywood.



Top Waler to Straighten Walls

Stepped Wall Construction with TWC's

Other Uses for the Top Waler Clamp

The "backbone" of each TWC has a hole for screwing or nailing into a board. This is useful in difficult forming situations such as the stepped wall shown here. The TWC's secure a 2x4 waler to the INSIDE face of each interior section of a stepped wall, with the wedge against the form. Then, a screw is run through the TWC into the 2x4 to help support the weight of the inside form panels.

(CAUTION: THIS IS A SUGGESTED USE. IT IS THE RESPONSIBILITY OF THE USER TO ASSURE THAT THE FORMWORK IS CONSTRUCTED IN A SAFE MANNER.)

